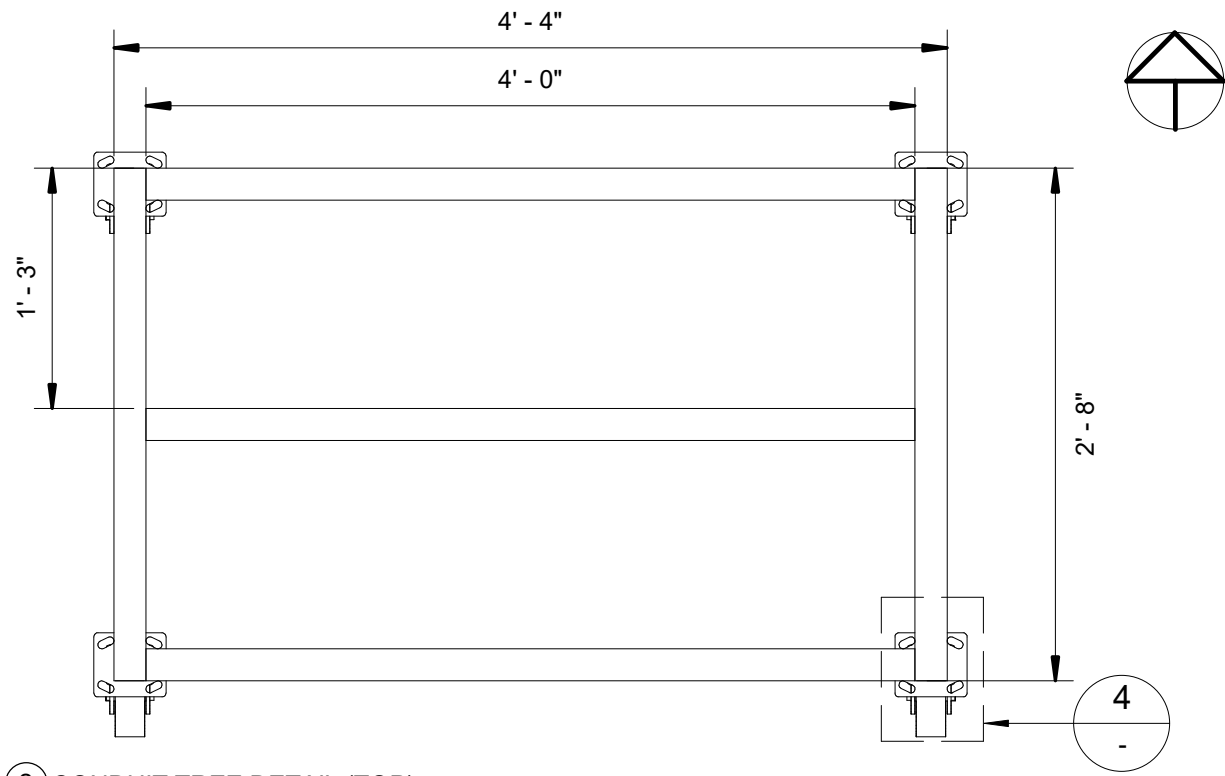


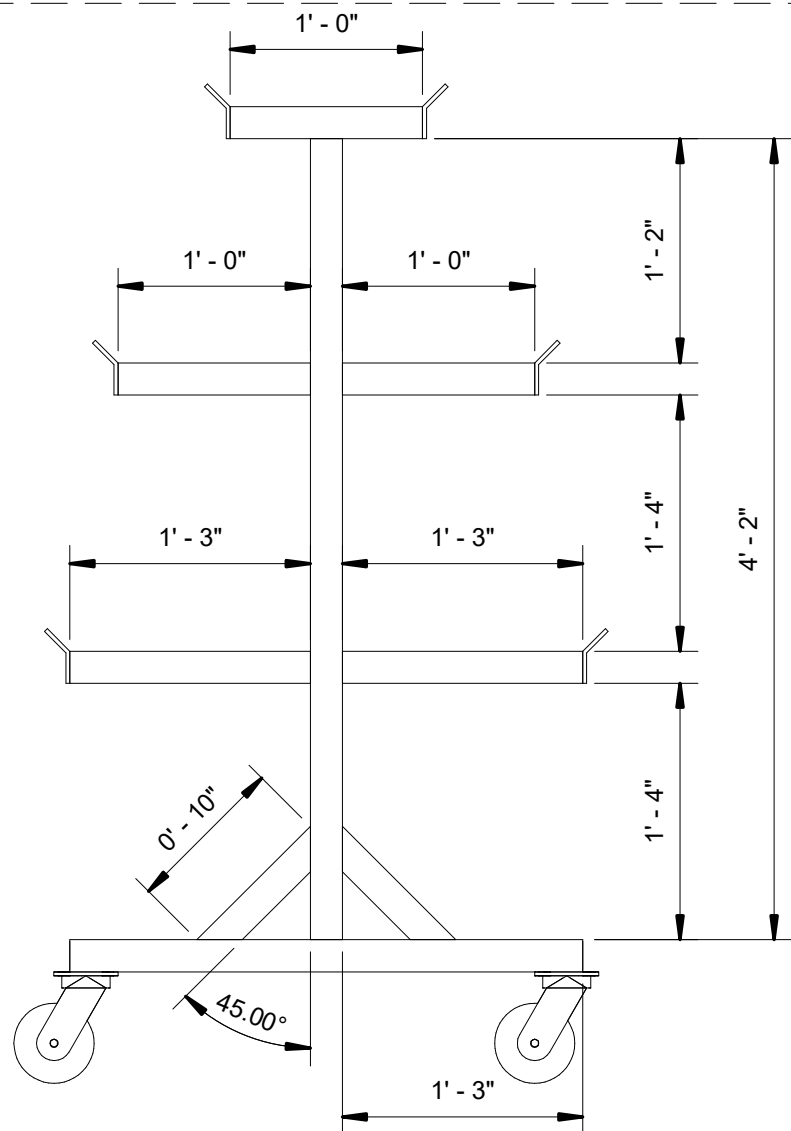
FILE PATH: C:\Users\S.Ploti\Desktop\Fab Models\10 - BIM Models\Conduit Tree - Jenson\Conduit Tree.rvt

PLOT DATE: 4/6/2020 9:22:21 AM

PLOT BY:



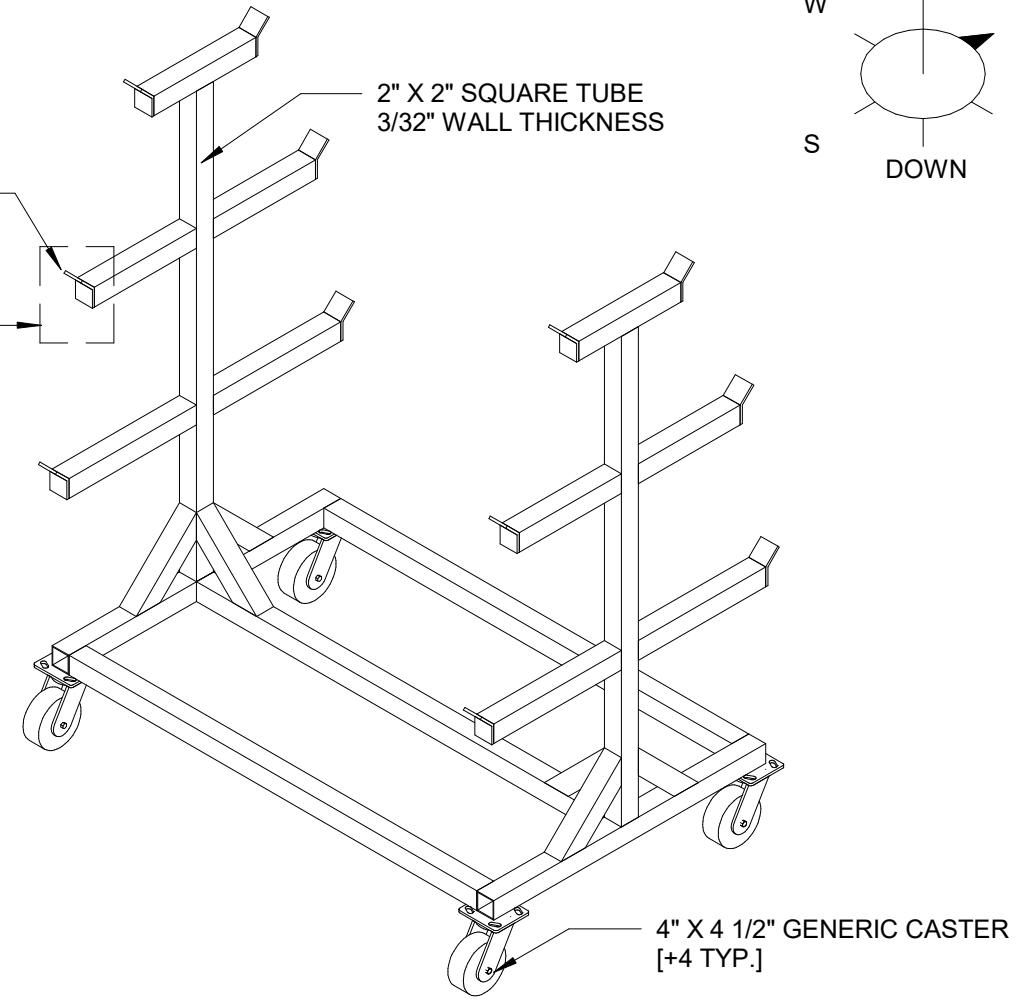
2 CONDUIT TREE DETAIL (TOP)



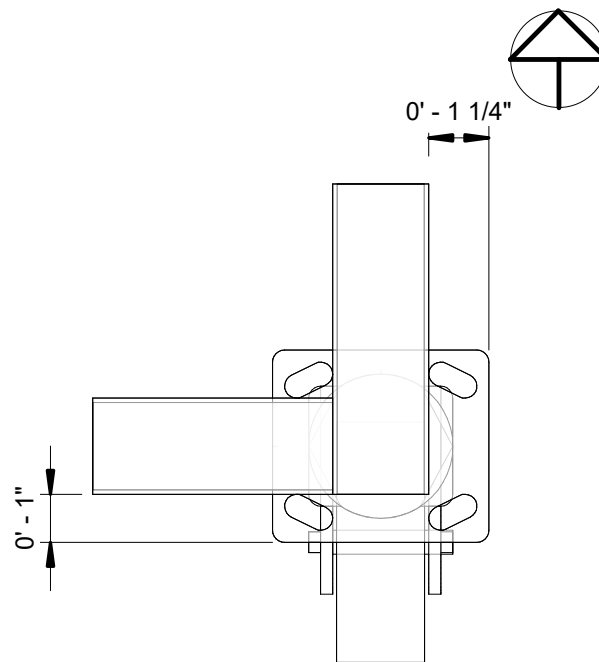
3 CONDUIT TREE DETAIL (EAST) +2 TYP.

45° BENT  
2" STRAP  
[+12 TYP.]

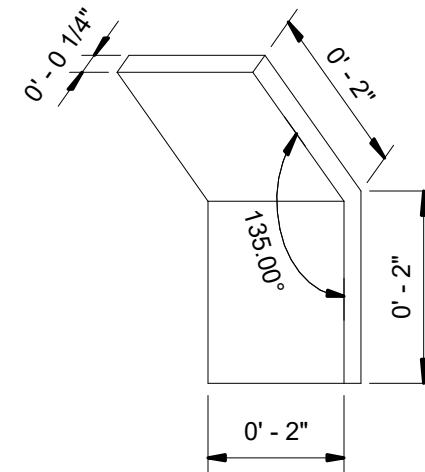
5  
-



1 CONDUIT TREE OVERALL

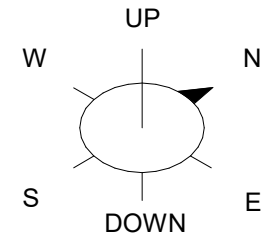


4 CONDUIT TREE DETAIL A (TOP) +4 TYP.



5 CONDUIT TREE DETAIL B (ISO) +12 TYP.

**KEY NOTES:**



FABRICATOR	
Employee # _____	Initial: _____
Start Date: _____	Finish Date: _____
Start Time: _____	Finish Time: _____
QA/QC	
Employee # _____	Initial: _____
Date: _____	
Time: _____	

REV #	REVISION DESCRIPTION	REVISED BY	DATE	RECORD DWG

**NOX INNOVATIONS** 4829 S 38th., Phoenix, AZ 85040  
Copyright all rights reserved. Cobrin's Service Electric, LLC. This print(drawing) is an instrument of service and is the exclusive property of Cobrin's Service Electric, LLC. As such, it may not be reproduced, and any reproduction hereof may not be used without the express written permission of Cobrin's Service Electric, LLC.

**CONDUIT TREE**

DATE: 4/6/2020 9:22:21 AM  
 DRAWN BY: \_\_\_\_\_  
 QA: \_\_\_\_\_  
 SI: \_\_\_\_\_  
 ROUTED BY: \_\_\_\_\_  
 JOB#: \_\_\_\_\_  
 PHASE: \_\_\_\_\_

PROJECT NAME: \_\_\_\_\_  
 AREA/PORTION: \_\_\_\_\_  
 SHEET #: **A1.0**