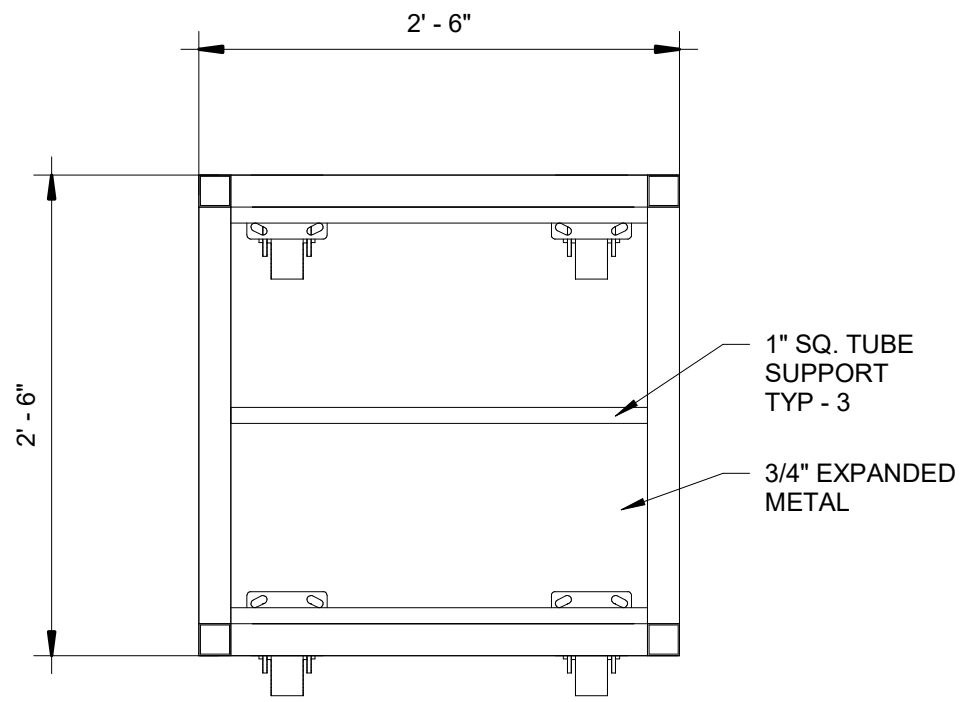
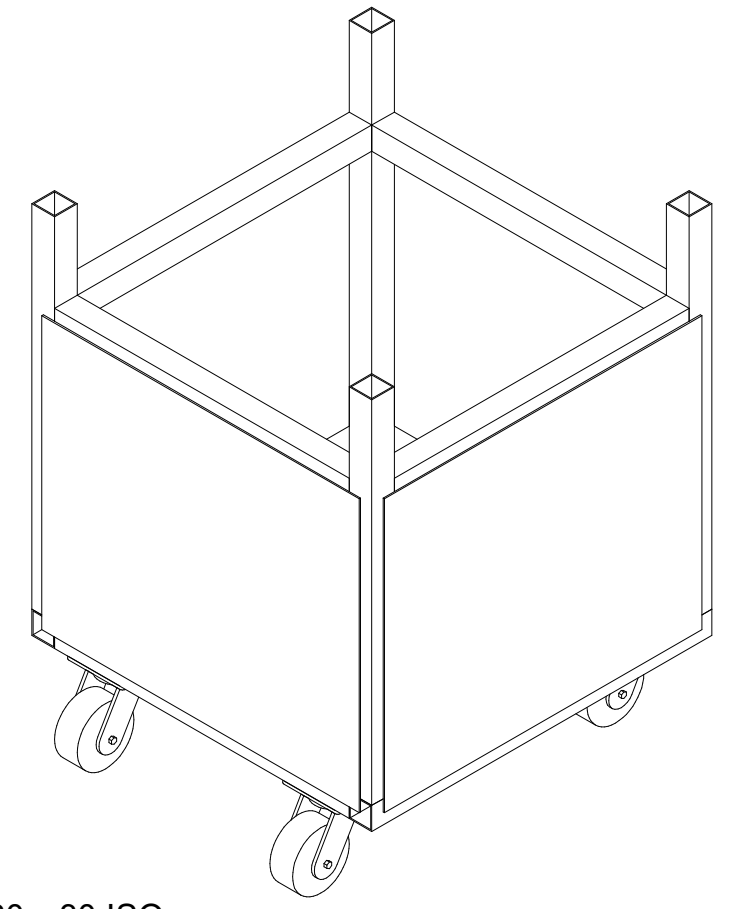


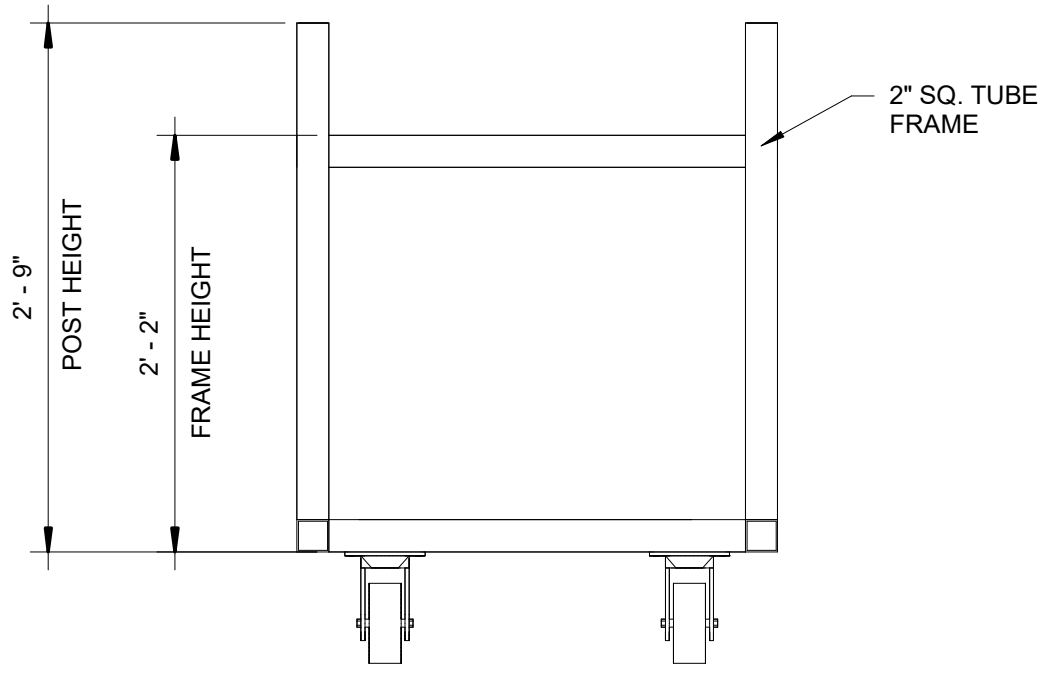
FILE PATH: N:\PREFAB\10 - BIM Models\Shark Cages\Model\Shark Cage.rvt  
 PLOT DATE: 2/21/2019 10:28:14 AM  
 PLOT BY:



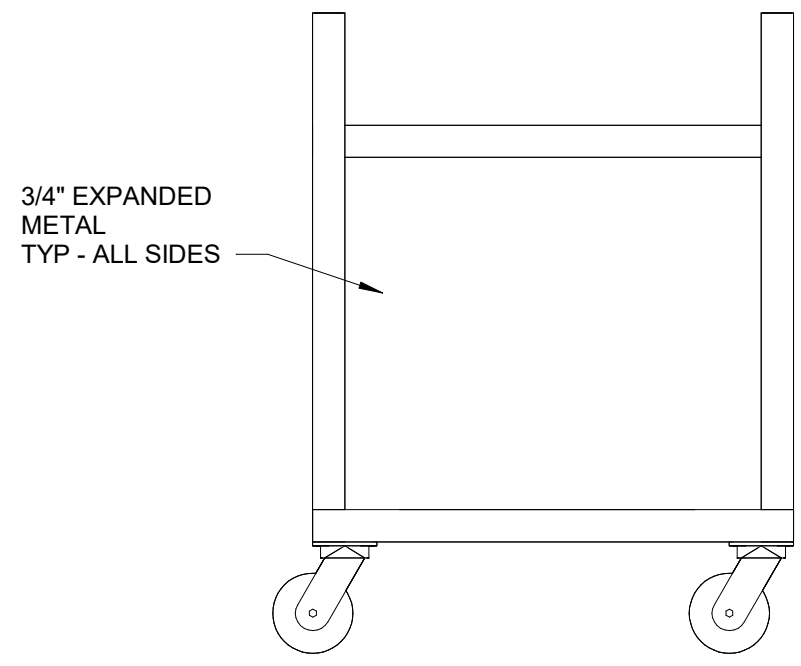
④ 30 x 30 Top




② 30 x 30 ISO

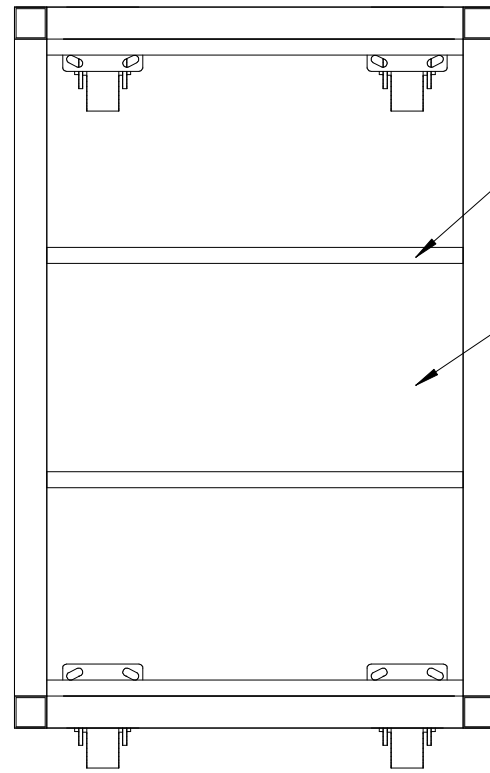


① 30 x 30 Front



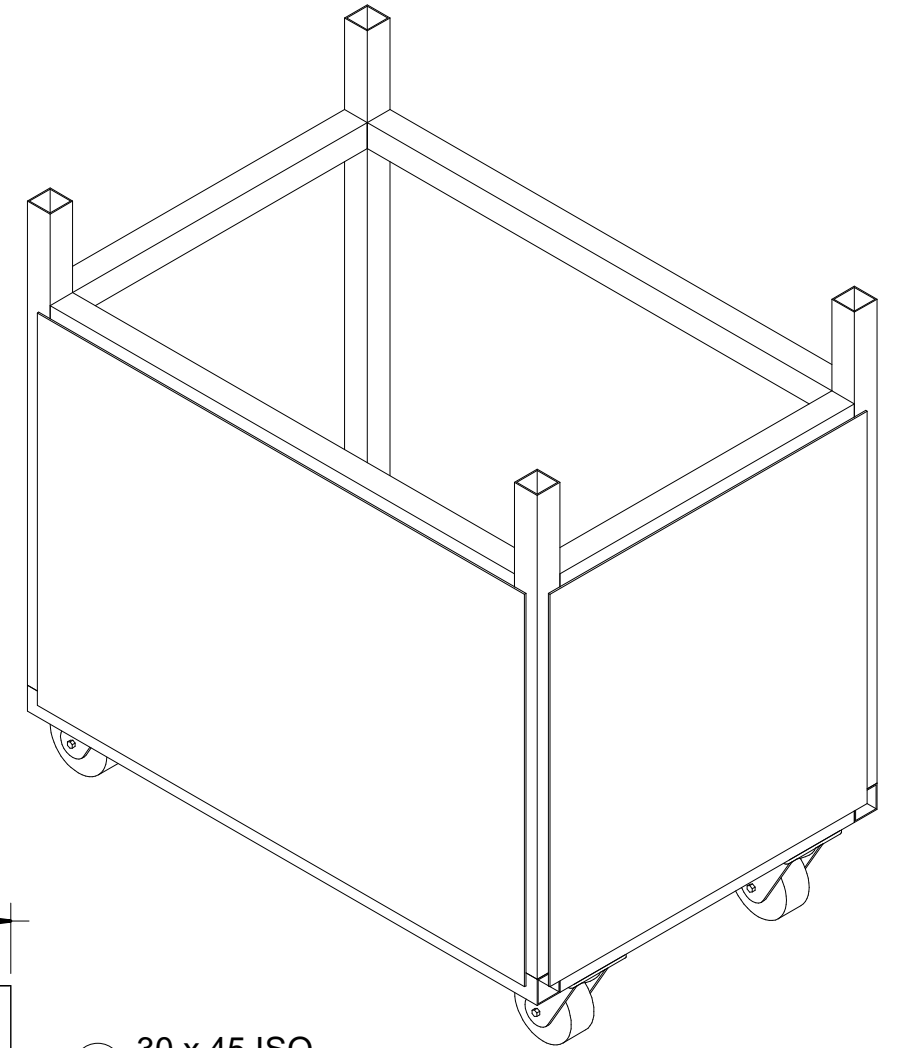
③ 30 x 30 Right

ID:	REVISION DESCRIPTION	ISSUED BY	DATE
 <b>NOX INNOVATIONS</b> 4829 S 38th St. Phoenix, AZ 85040 Ph: (602) 275-8500 <small>Copyright © 2018 all rights reserved. NOX Innovations, LLC. This print (drawing) is an instrument of service and is the exclusive property of NOX Innovations, LLC. All work, if not reproduced, and any reproduction hereof may not be used without the express written permission of NOX Innovations, LLC.</small>			
DATE:	2/21/2019 10:28:14 AM	<h2>30" x 30" Material Cage</h2>	
DRAWN BY:	Author		
QA BY:	QA BY		
GF:			
ROUTED BY:	MODELER		
JOB#:		PROJECT NAME:	
PHASE CODE:	PHASE#	AREA / PORTION:	SHEET #: 1.1



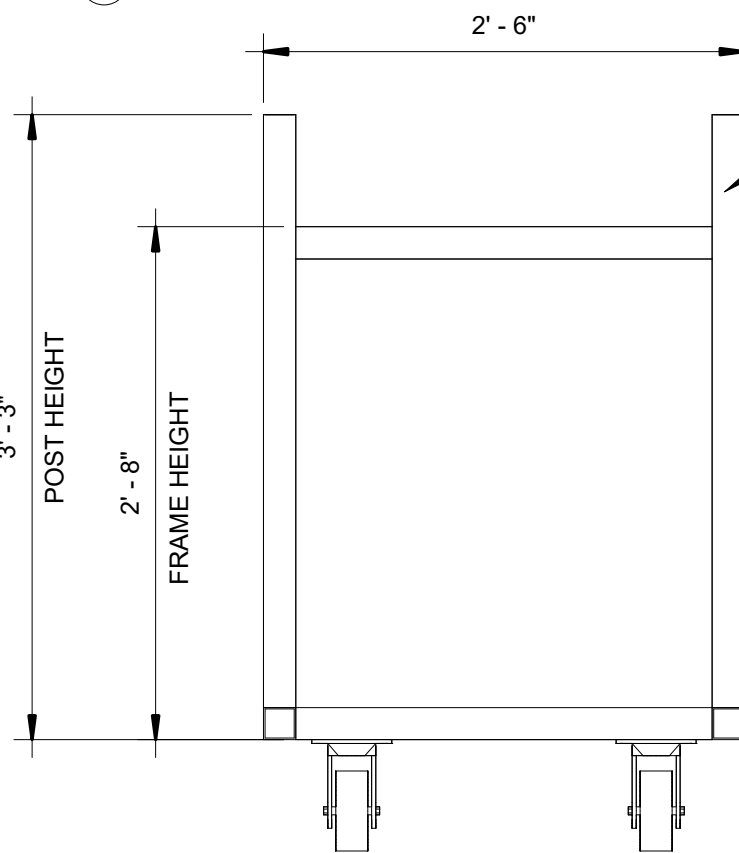
1" SQ. TUBE  
SUPPORT  
TYP - 4

3/4" EXPANDED  
METAL



② 30 x 45 ISO

④ 30 x 45 Top



3' - 3"  
POST HEIGHT

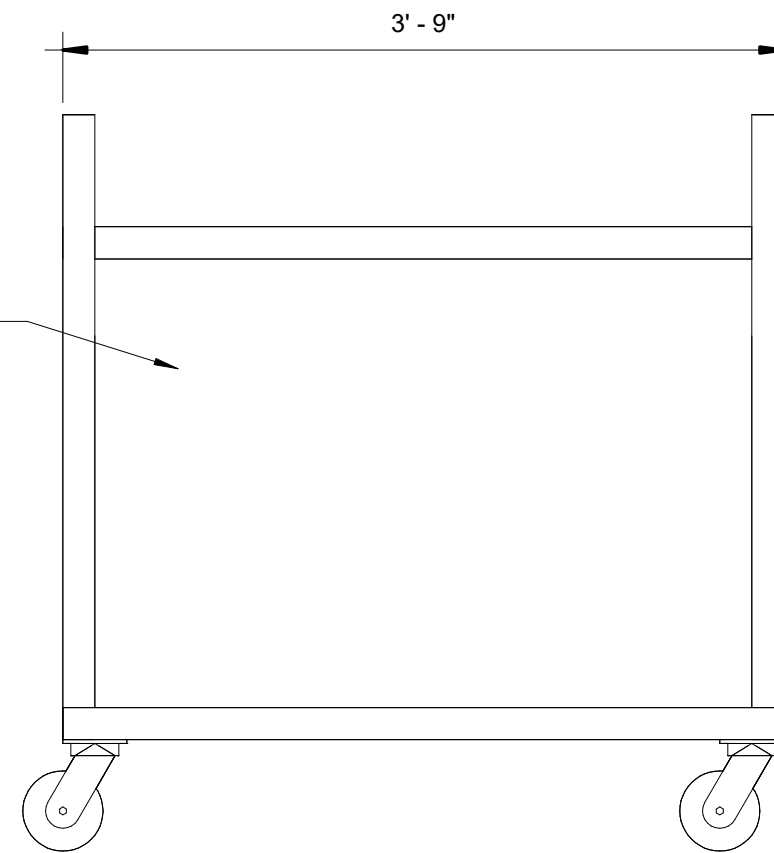
2' - 8"  
FRAME HEIGHT

2' - 6"

2" SQ. TUBE  
FRAME


① 30 x 45 Front

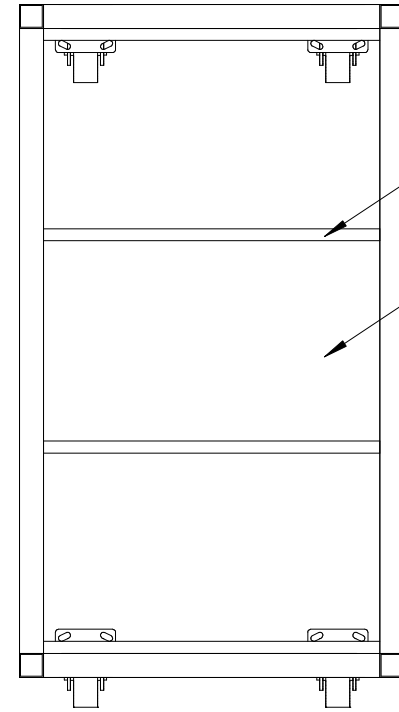
3/4" EXPANDED  
METAL  
TYP - ALL SIDES



3' - 9"

③ 30 x 45 Right

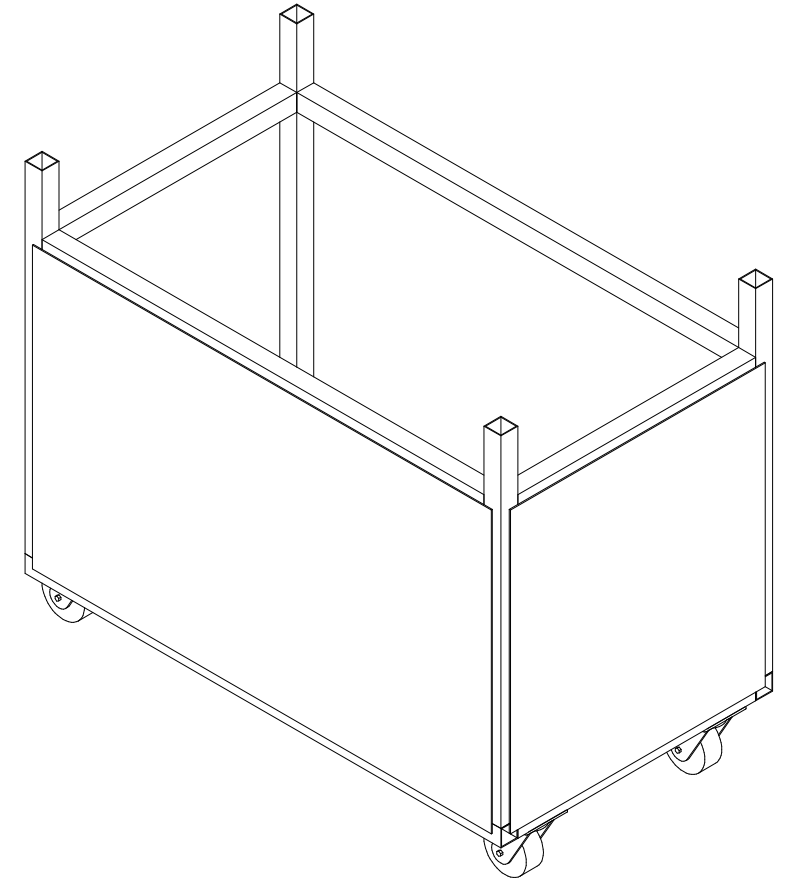
ID:	REVISION DESCRIPTION	ISSUED BY	DATE
 <b>NOX INNOVATIONS</b> 4829 S 38th St. Phoenix, AZ 85040 Ph: (602) 275-8500 <small>Copyright © 2018 all rights reserved. NOX Innovations, LLC. This print (drawing) is an instrument of service and is the exclusive property of NOX Innovations, LLC. All work, it may not be reproduced, and any reproduction hereof may not be used without the express written permission of NOX Innovations, LLC.</small>			
DATE:	2/21/2019 10:28:15 AM	<b>30" x 45" Material Cage</b>	
DRAWN BY:	Author		
QA BY:	QA BY	PROJECT NAME:	
GF:			
ROUTED BY:	MODELER	AREA / PORTION:	
JOB#:			
PHASE CODE:	PHASE#	SHEET #: <b>1.2</b>	



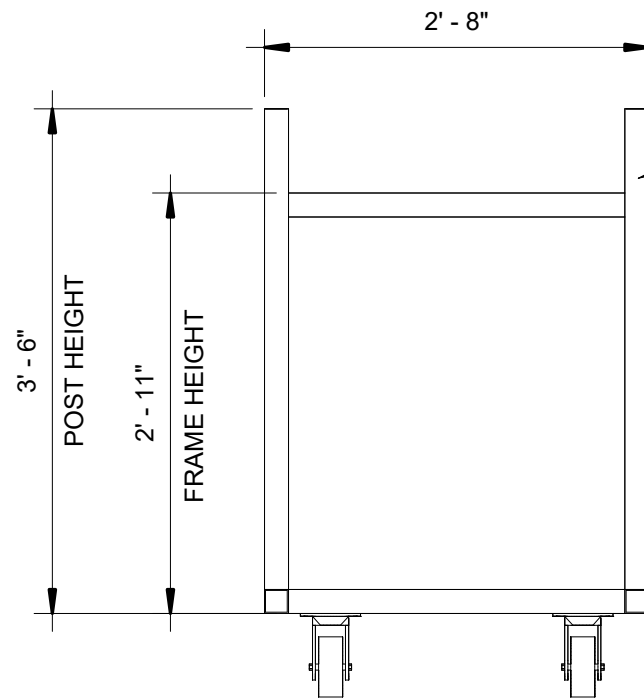
1" SQ. TUBE  
SUPPORT  
TYP - 4

3/4" EXPANDED  
METAL

④ 32 x 56 Top



② 32 x 56 ISO



3' - 6"  
POST HEIGHT

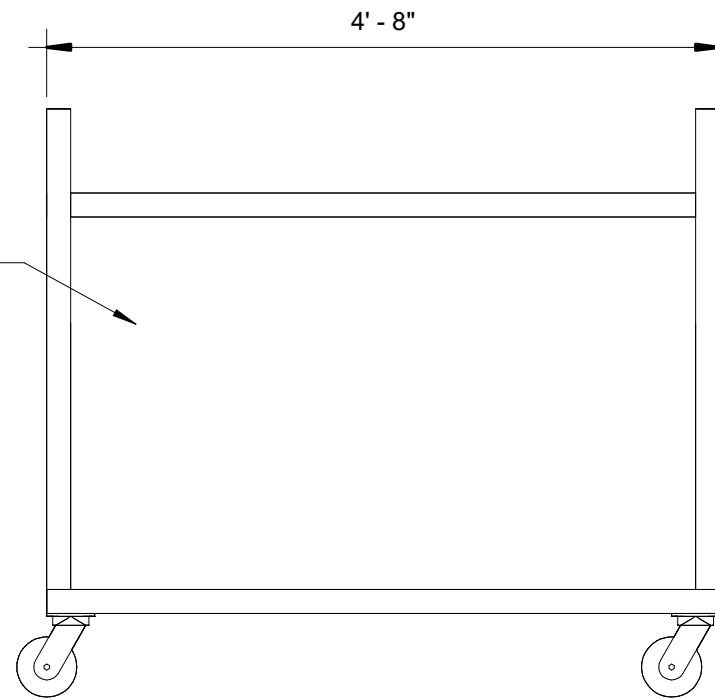
2' - 11"  
FRAME HEIGHT

2' - 8"

2" SQ. TUBE  
FRAME


① 32 x 56 Front

3/4" EXPANDED  
METAL  
TYP - ALL SIDES



4' - 8"

③ 32 x 56 Right

ID:	REVISION DESCRIPTION	ISSUED BY	DATE
 <b>NOX INNOVATIONS</b> 4829 S 38th St. Phoenix, AZ 85040 Ph: (602) 275-8500 <small>Copyright © 2018 all rights reserved. NOX Innovations, LLC. This print (drawing) is an instrument of service and is the exclusive property of NOX Innovations, LLC. All work, if any, may not be reproduced, and any reproduction hereof may not be used without the express written permission of NOX Innovations, LLC.</small>			
DATE:	2/21/2019 10:28:15 AM	<h2>32" x 56" Material Cage</h2>	
DRAWN BY:	Author		
QA BY:	QA BY		
GF:			
ROUTED BY:	MODELER		
JOB#:		PROJECT NAME:	
PHASE CODE:	PHASE#	AREA / PORTION:	SHEET #: 1.3